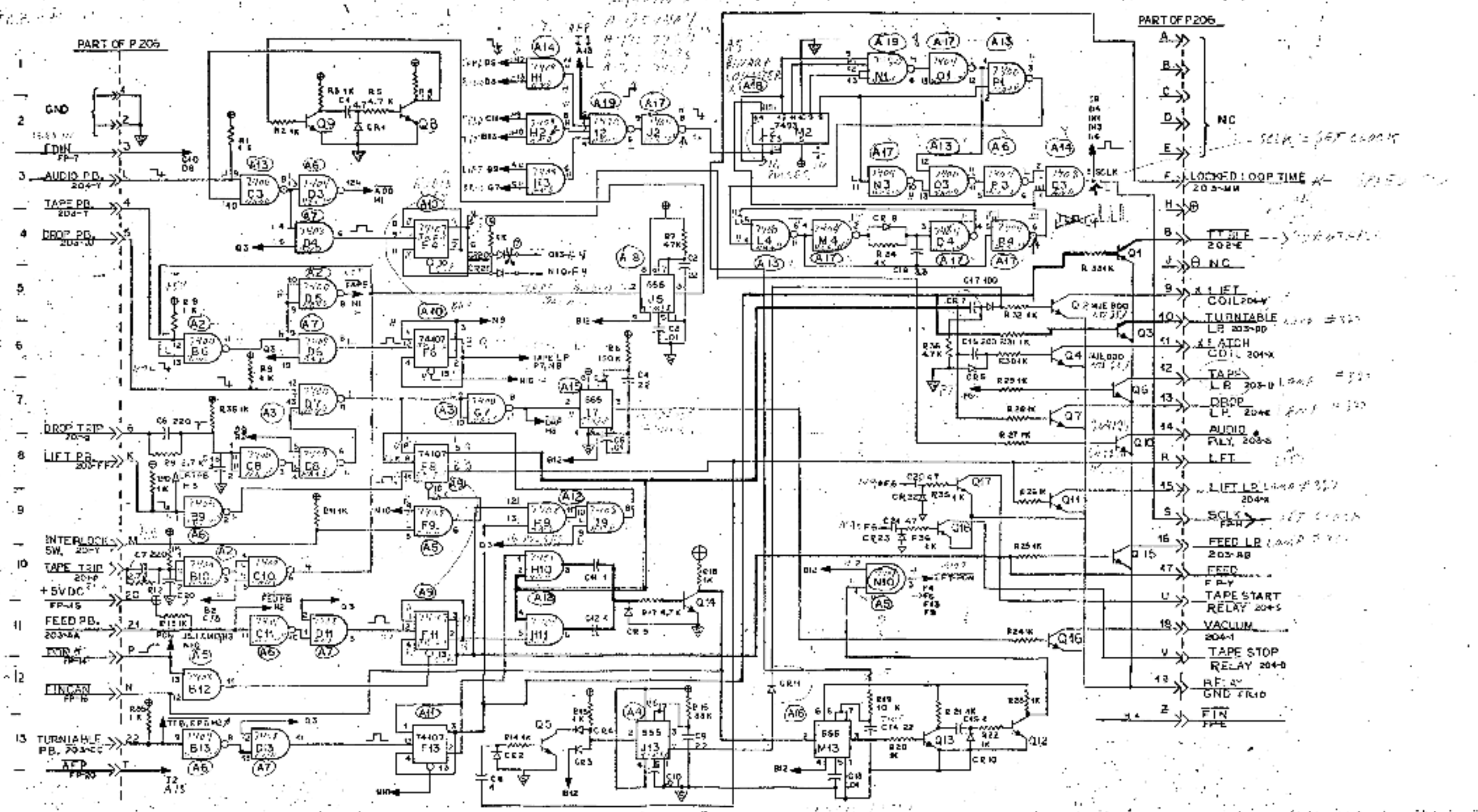


L. J. SCULLY MFG. CORP. U.S.A.  
LJS  
TURNABLE SERVO DRIVE BOARD  
MODEL 70

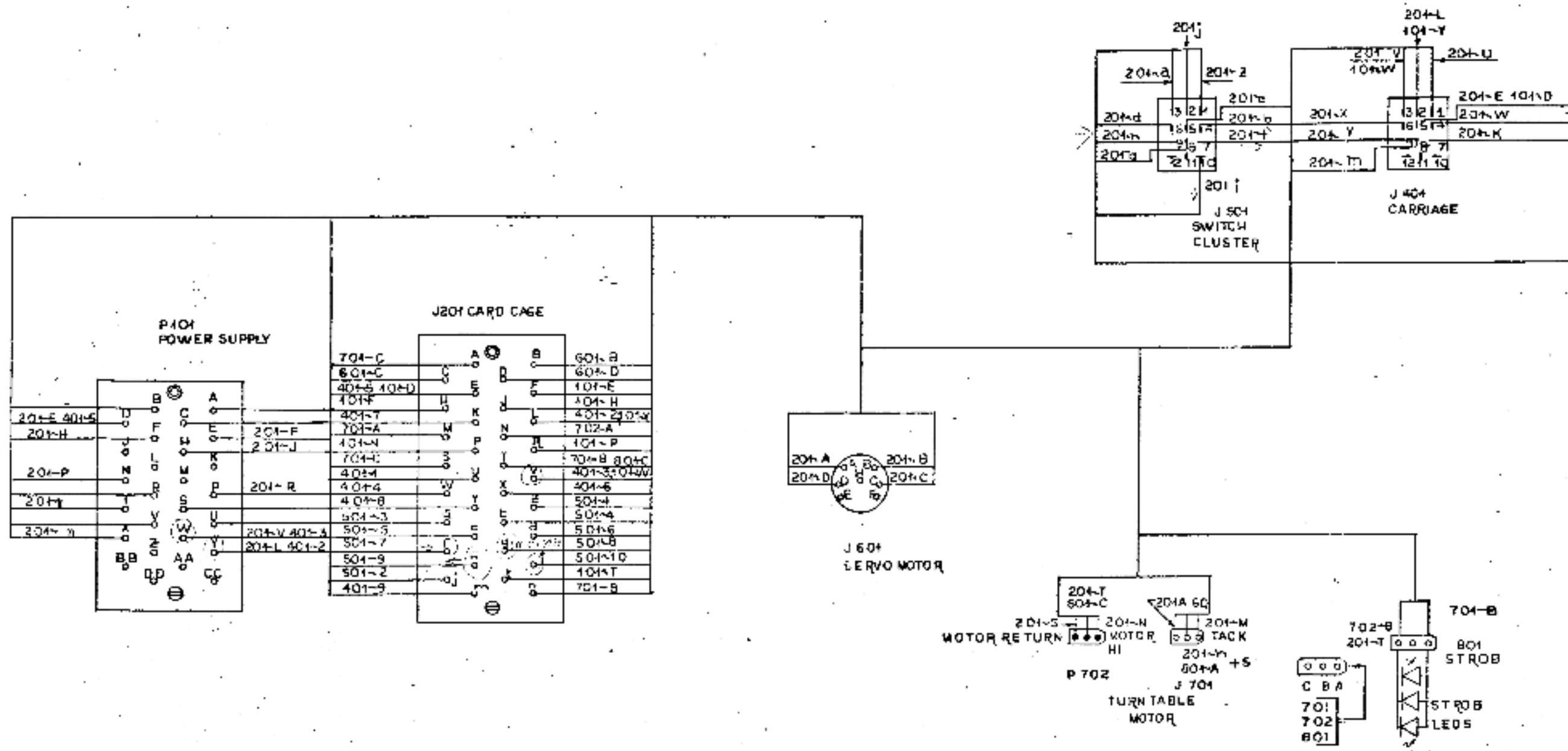
A B C D E F G H I J K L M N O P Q



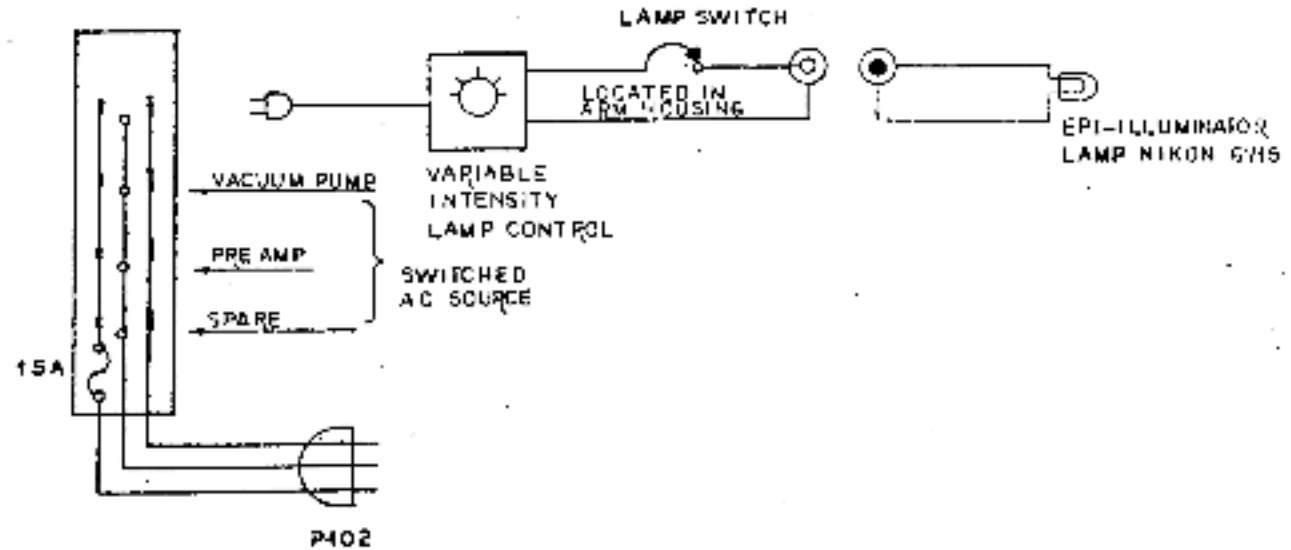
NOTES: 1. ALL RESISTORS ARE 1/4 W 5%  
 2. ALL CAPACITORS ARE 10% WVD, 50% 10WVDC  
 3. UNLESS SPECIFIED OTHER ALL TRANSISTORS ARE 2N1474  
 4. ALL DIGITS ARE IN DIB B  
 5. ZONE NO FOR REVISIONS, X-NO, ARE LOCATION ON PC BOARD  
 6. FOR AUDIO OFF AFTER FINISH REMOVE CR 20 (24)

**L. J. SCULLY MFG.**

Model 78  
 Gen E-1-78  
**GENERAL LOGIC PC BOARD**  
 MODEL 78 4-7 DB00 50

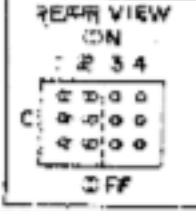
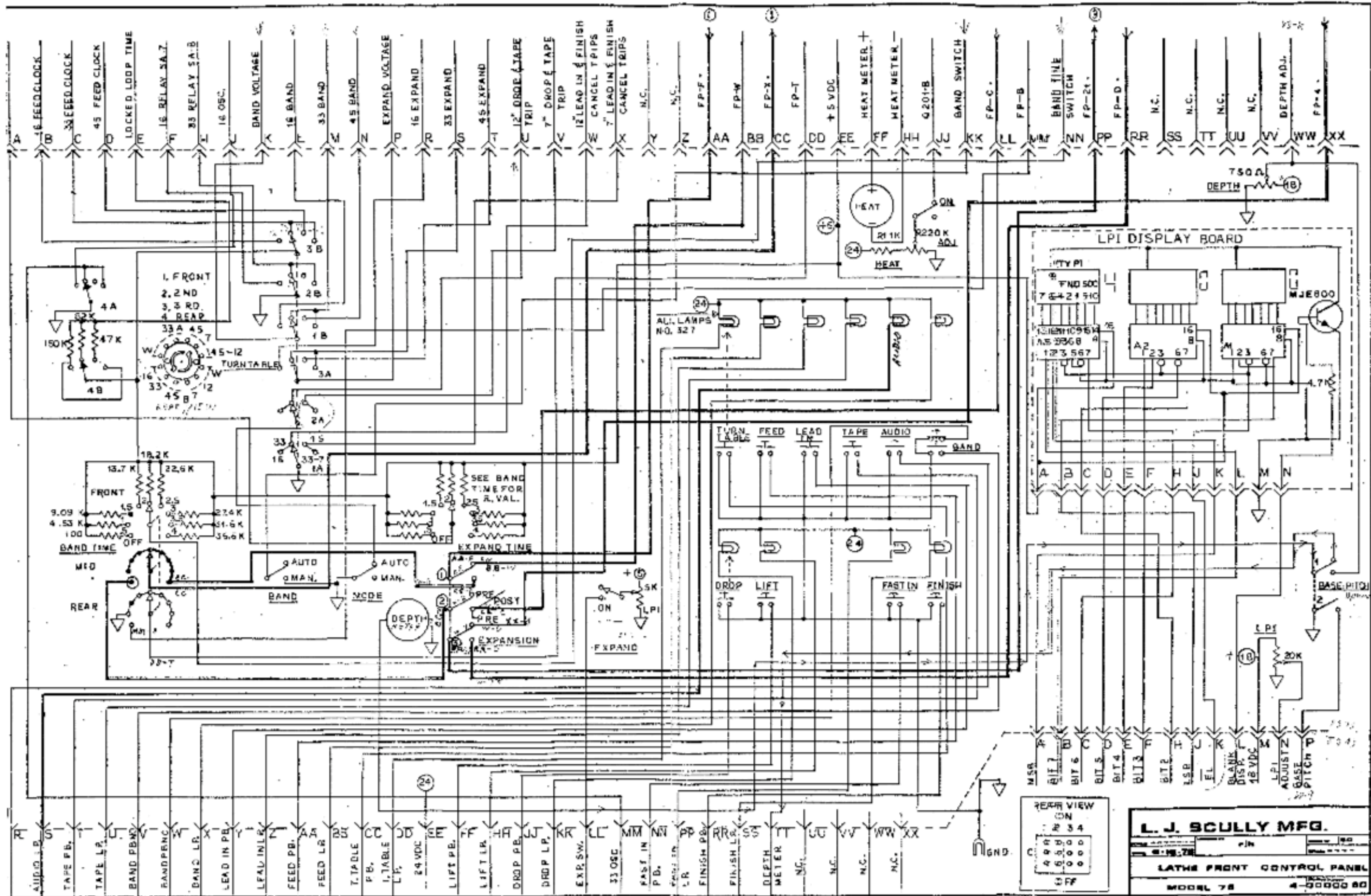


J201 CARD CAGE		J201 CARD CAGE	
A	B	A	B
701-C	601-B	601-B	601-D
601-C	101-E	101-E	101-H
401-5 101-D	401-2 201-W	401-2 201-W	702-A
101-F	101-P	101-P	701-B 801-C
401-7	401-3 501-A	401-3 501-A	401-6
701-A	501-4	501-4	501-4
101-N	501-5	501-5	501-6
701-C	501-7	501-7	501-8
401-4	501-9	501-9	501-10
401-8	501-2	501-2	101-T
501-3	401-9	401-9	701-B
501-5			
501-7			
501-9			
501-2			
401-9			



**NOTE**  
 ① ALL CONNECTORS SHOWN FROM PIN SIDE

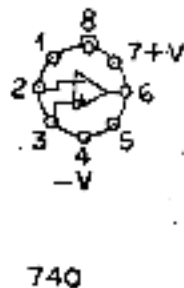
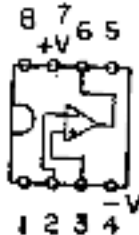
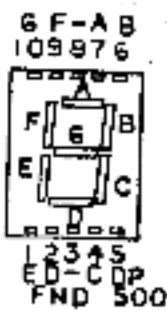
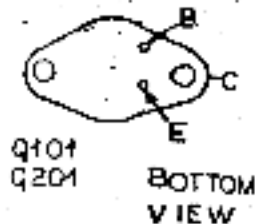
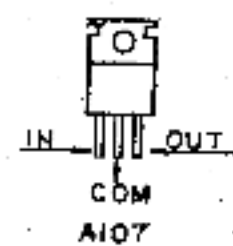
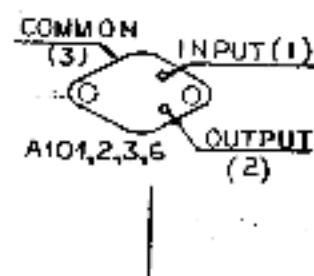
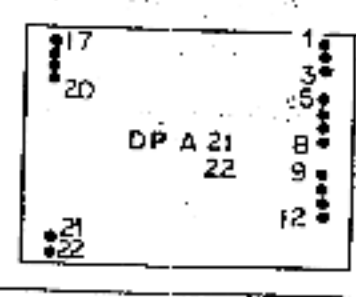
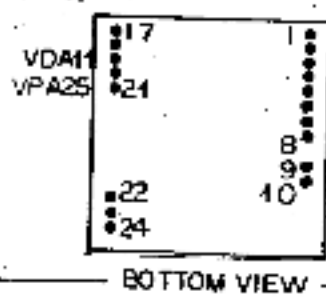
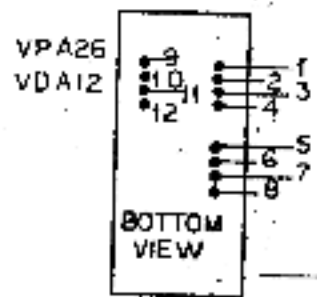
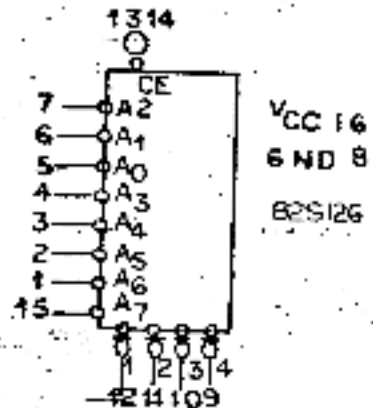
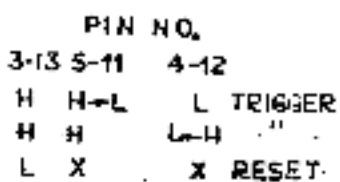
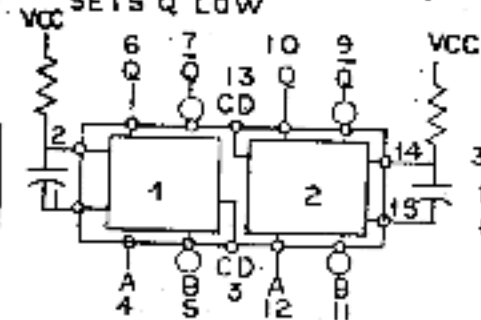
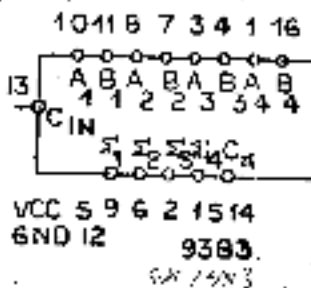
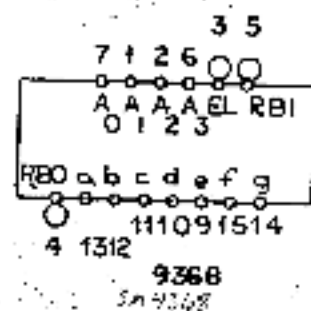
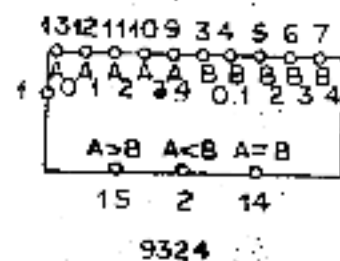
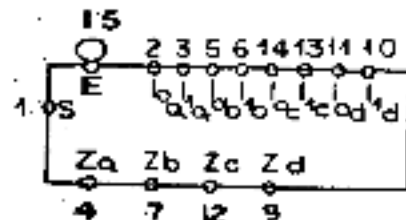
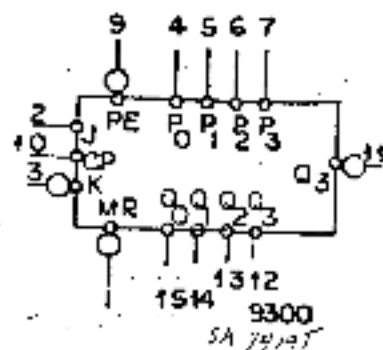
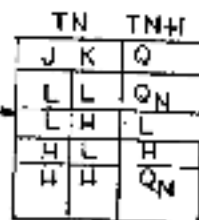
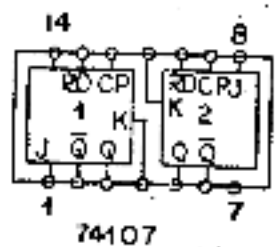
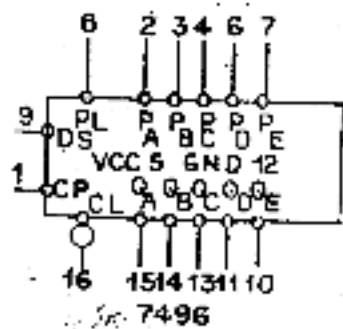
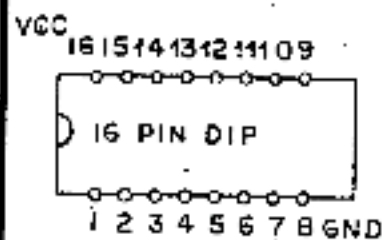
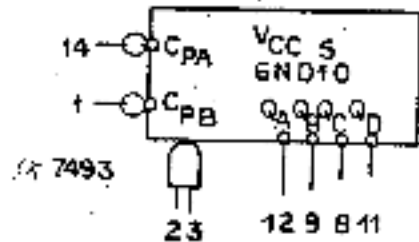
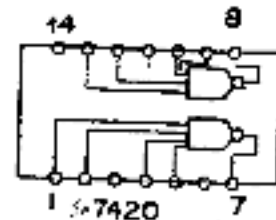
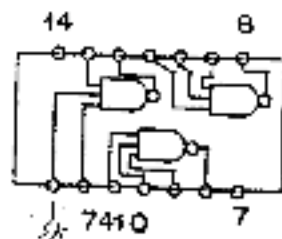
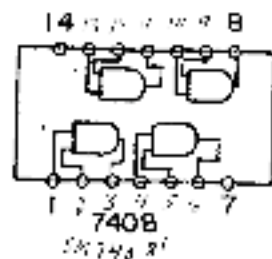
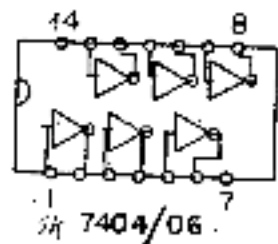
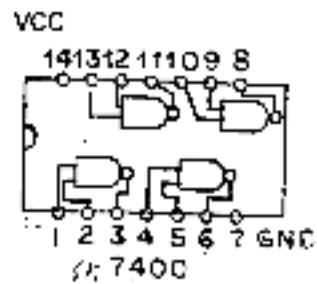
REVISED 2-5-79



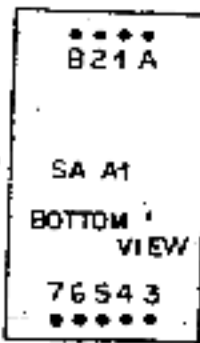
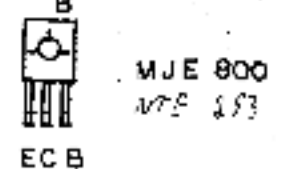
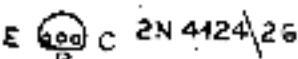
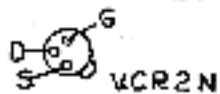
**L. J. SCULLY MFG.**

**LATHE FRONT CONTROL PANEL**

MODEL 78 4-00000 80



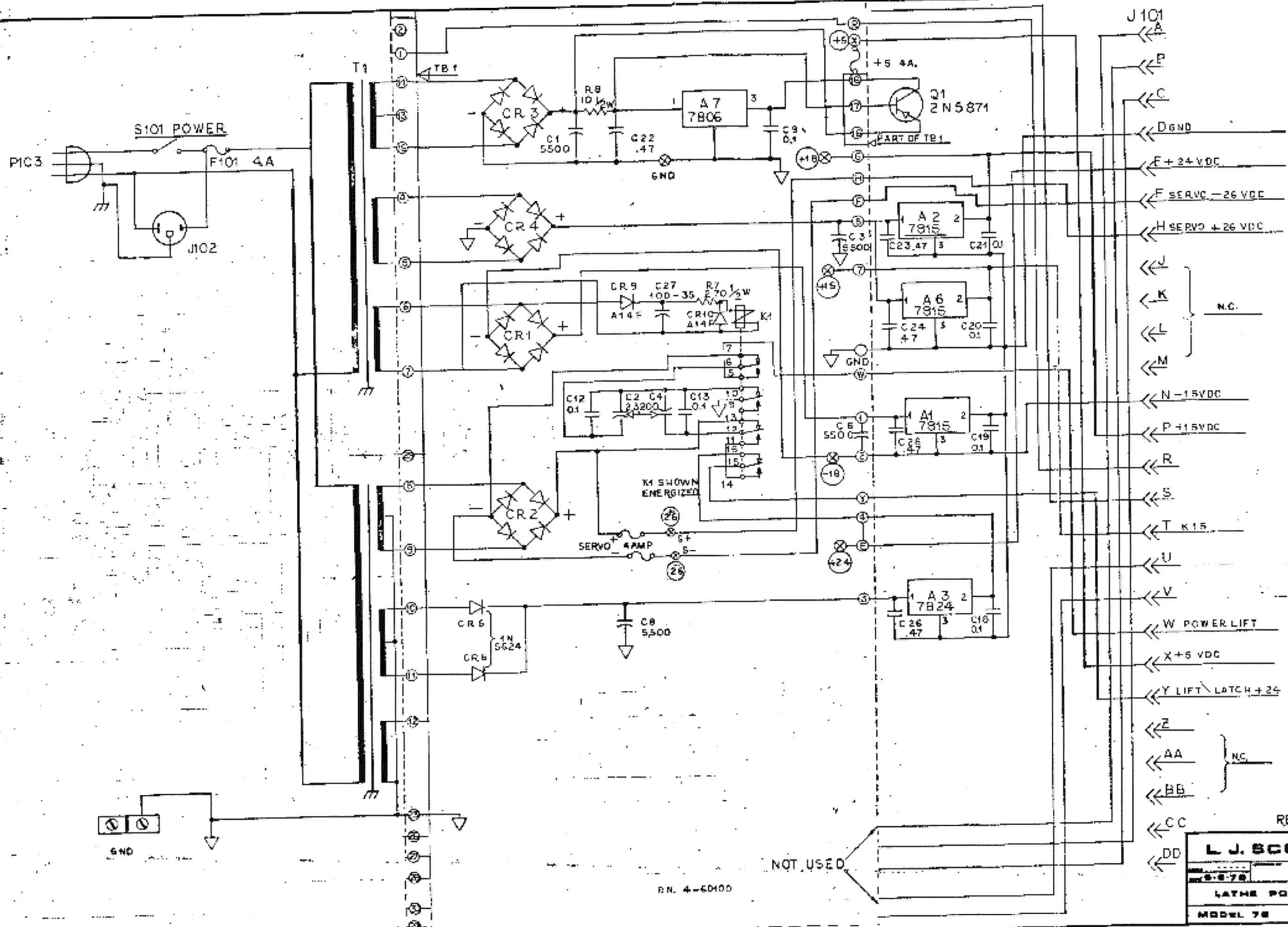
BOTTOM VIEW



**NOTE**  
UNLESS NOTED ALL VIEWS  
ARE TOP

**L. J. SCULLY MFG.**

DATE	1-17-77	ISSUED BY	JBO
REVISION		REVISED	
<b>PACKAGE OUTLINES</b>			
MODEL	78	DATE	4-10800 80

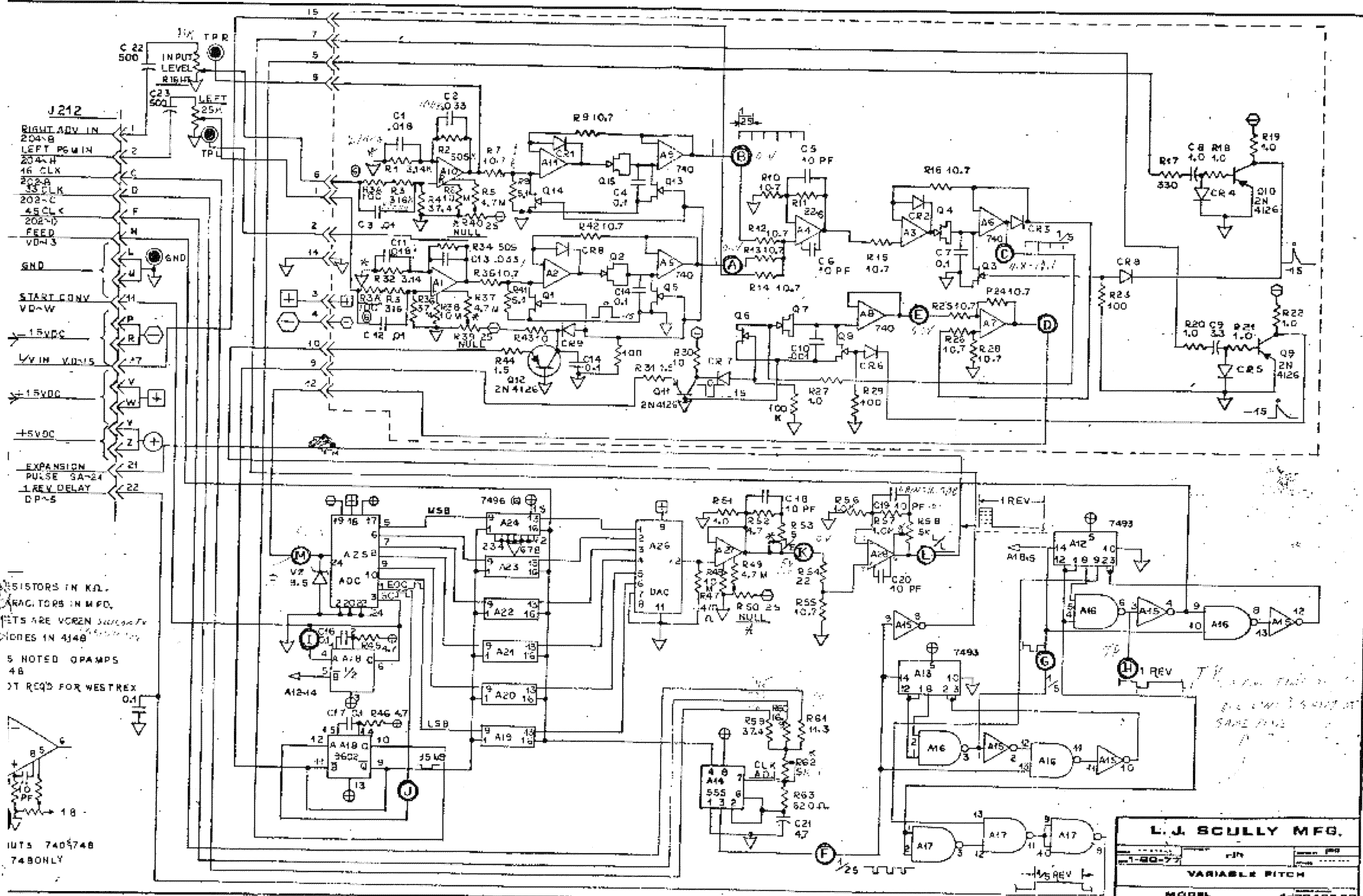


DN. 4-60100

REVISED 2-5-79

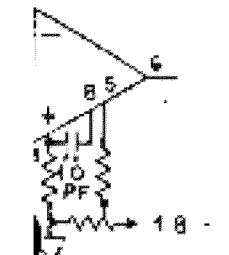
<b>L. J. SCULLY MFG.</b>		
5-8-78	rjh	max jdp
LATHE POWER SUPPLY		
MODEL 78	4-8000050	

N.A. 1 P.M. 1 A 7 1/2



RESISTORS IN KΩ.  
 CAPACITORS IN MFD.  
 DIODES ARE VOREN UNLESS NOTED OTHERWISE.  
 DIODES IN 4J40

5 NOTED GRAMPS  
 4B  
 3T REQD FOR WESTREX



IC'S 740, 748  
 748 ONLY

**L. J. SCULLY MFG.**

1-80-77

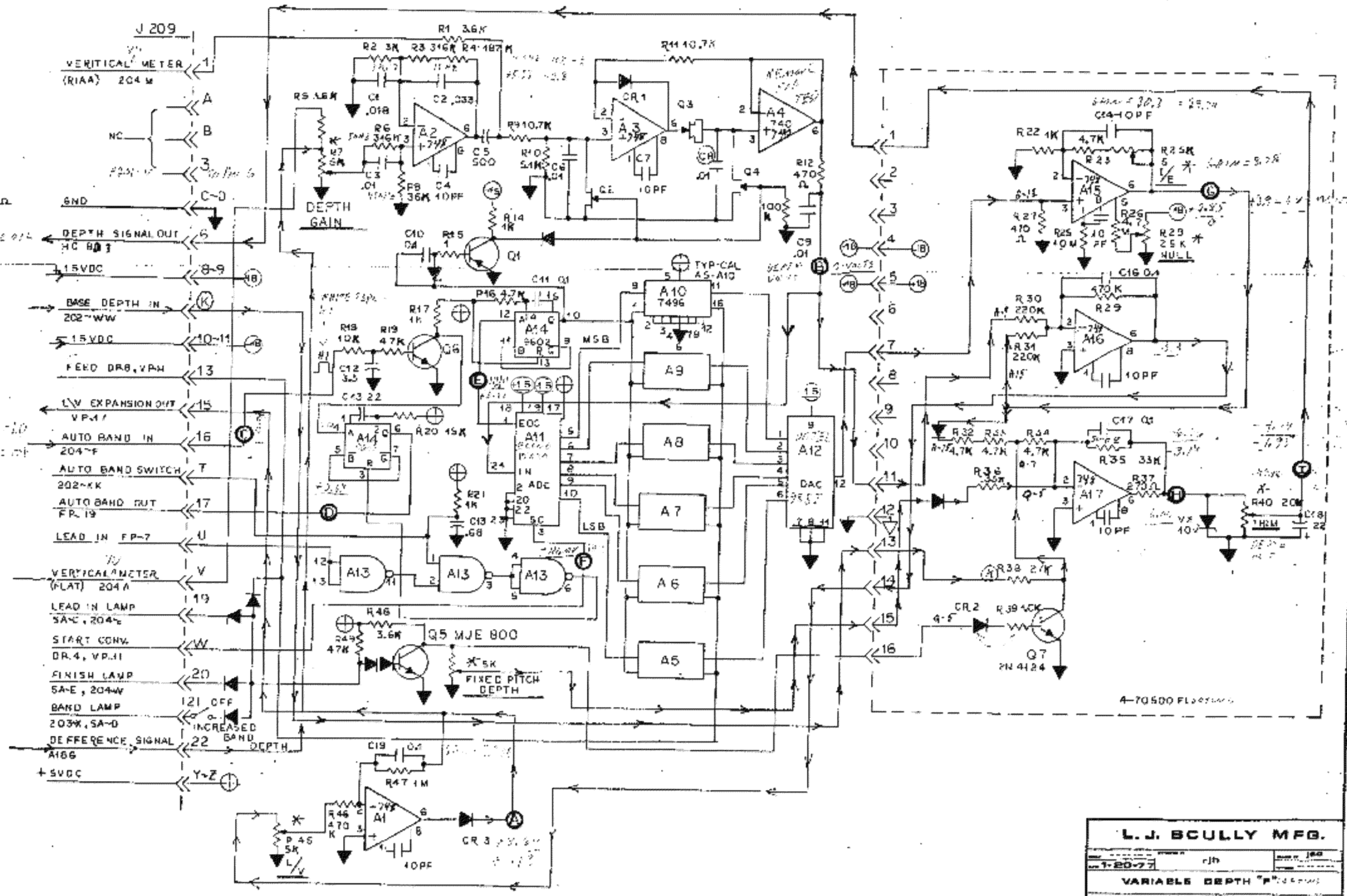
VARIABLE PITCH

MODEL 4-70400 80

*Handwritten note:* 1 REV. TYPED IN PLACE OF 1 REV. AT SAME PLACE

VERT. METER AMP

- ALL DIODES  
M 4148
- 12-64 VCR2N  
17 Q6 2N4124  
14- 2N4128  
2, 3, 15, 16, 17, 1  
RE 748  
E5151045 IN KΩ



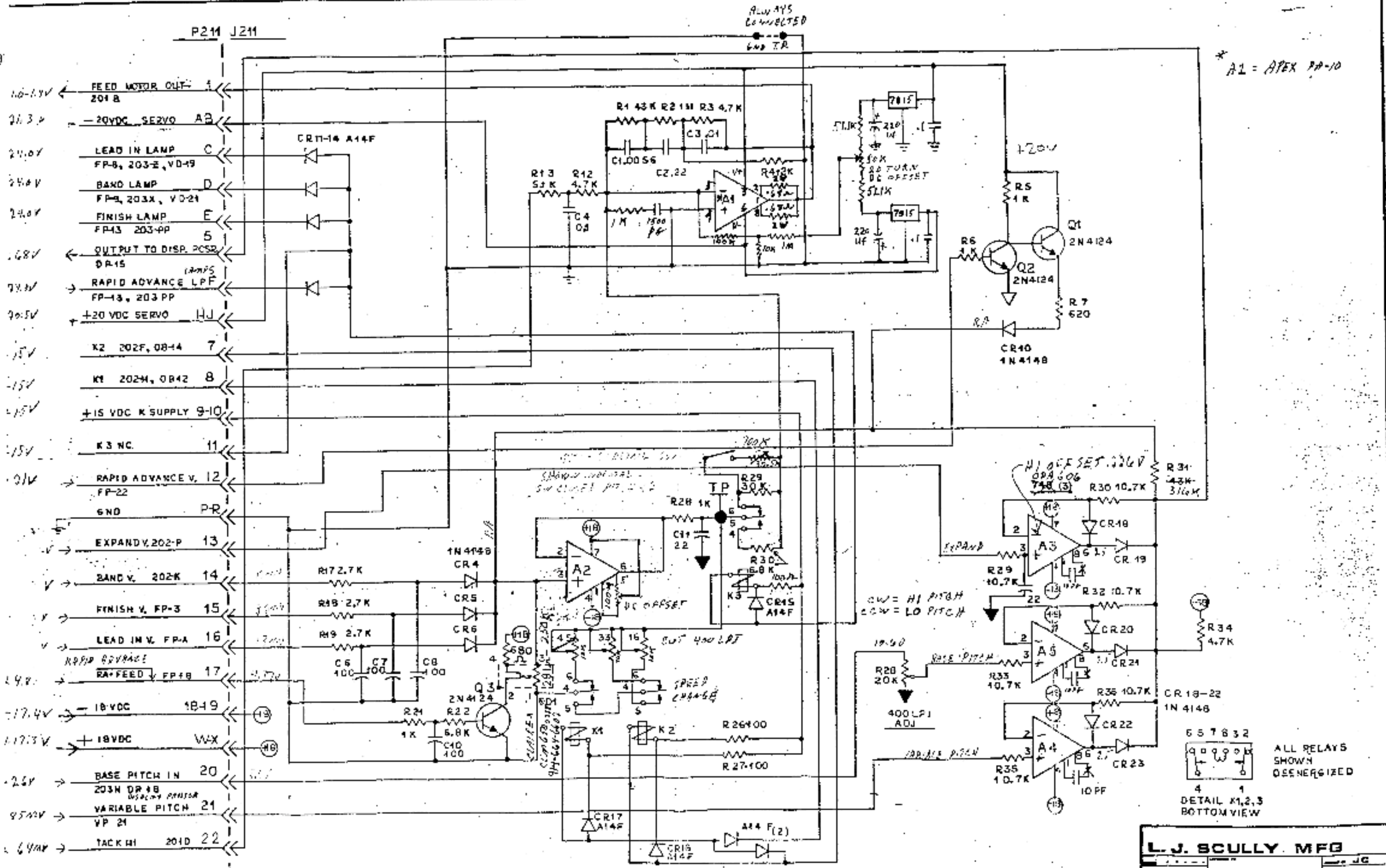
L. J. SCULLY MFG.

1-20-77

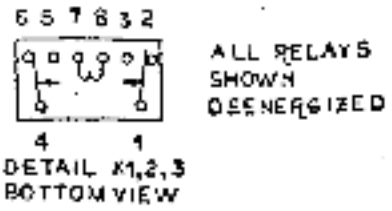
VARIABLE DEPTH

MODEL 78 4-70500F 80

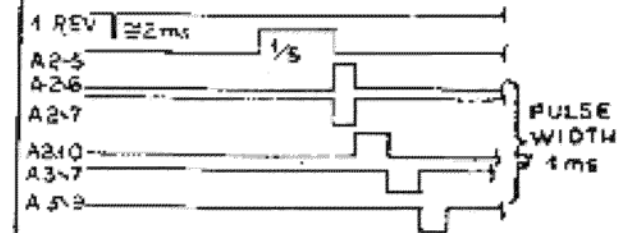
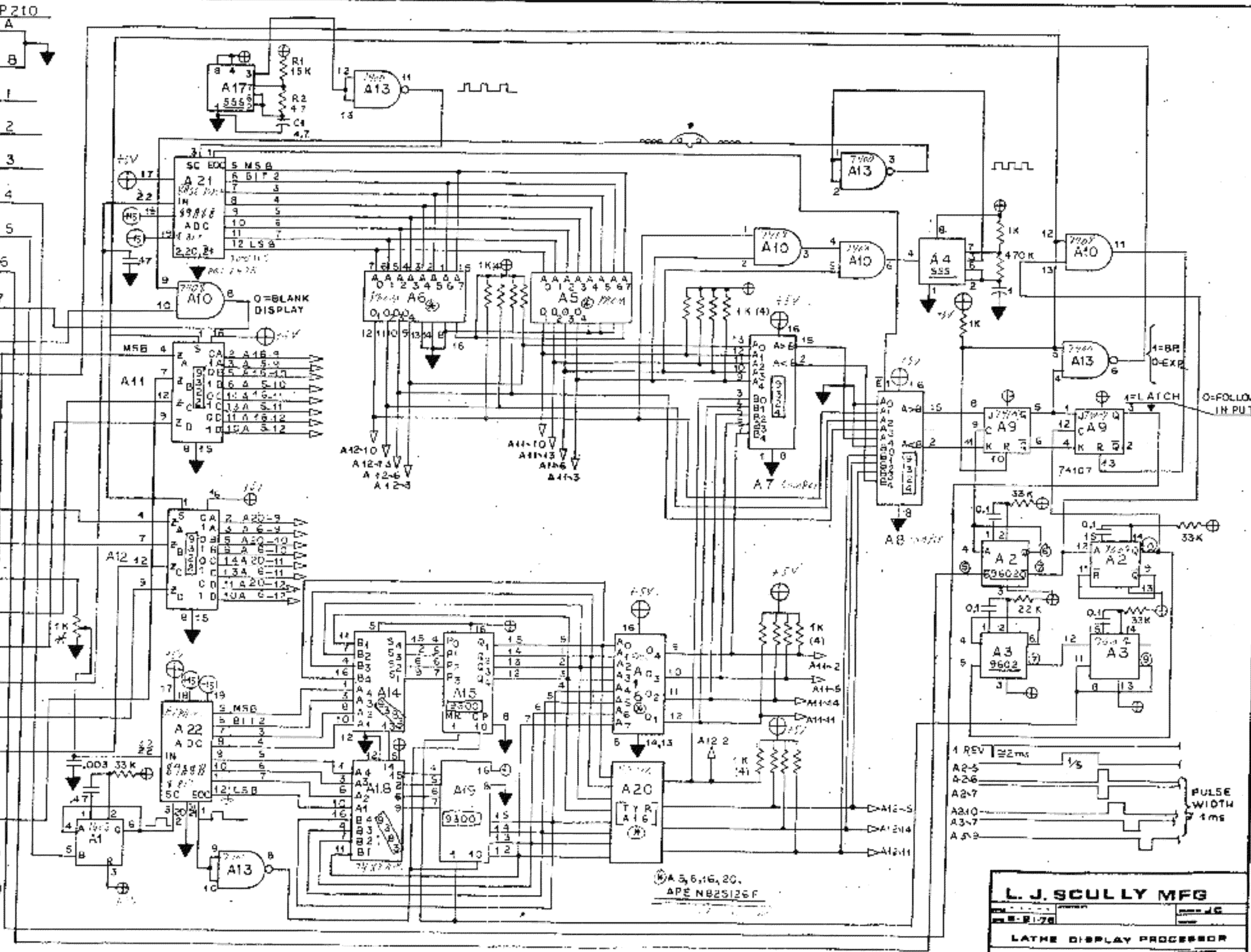
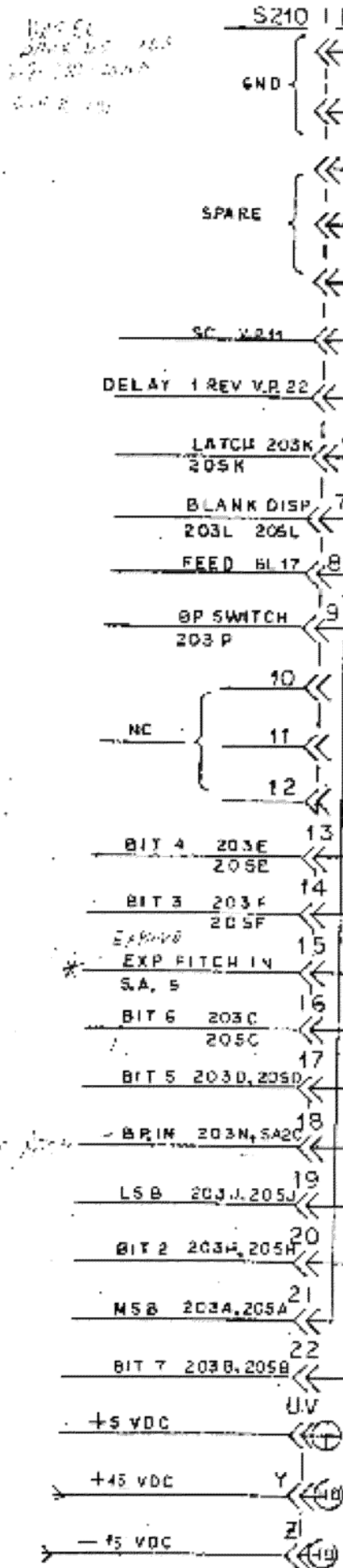




\* A1 = APEX PA-10



ALL RELAYS SHOWN DEENERGIZED



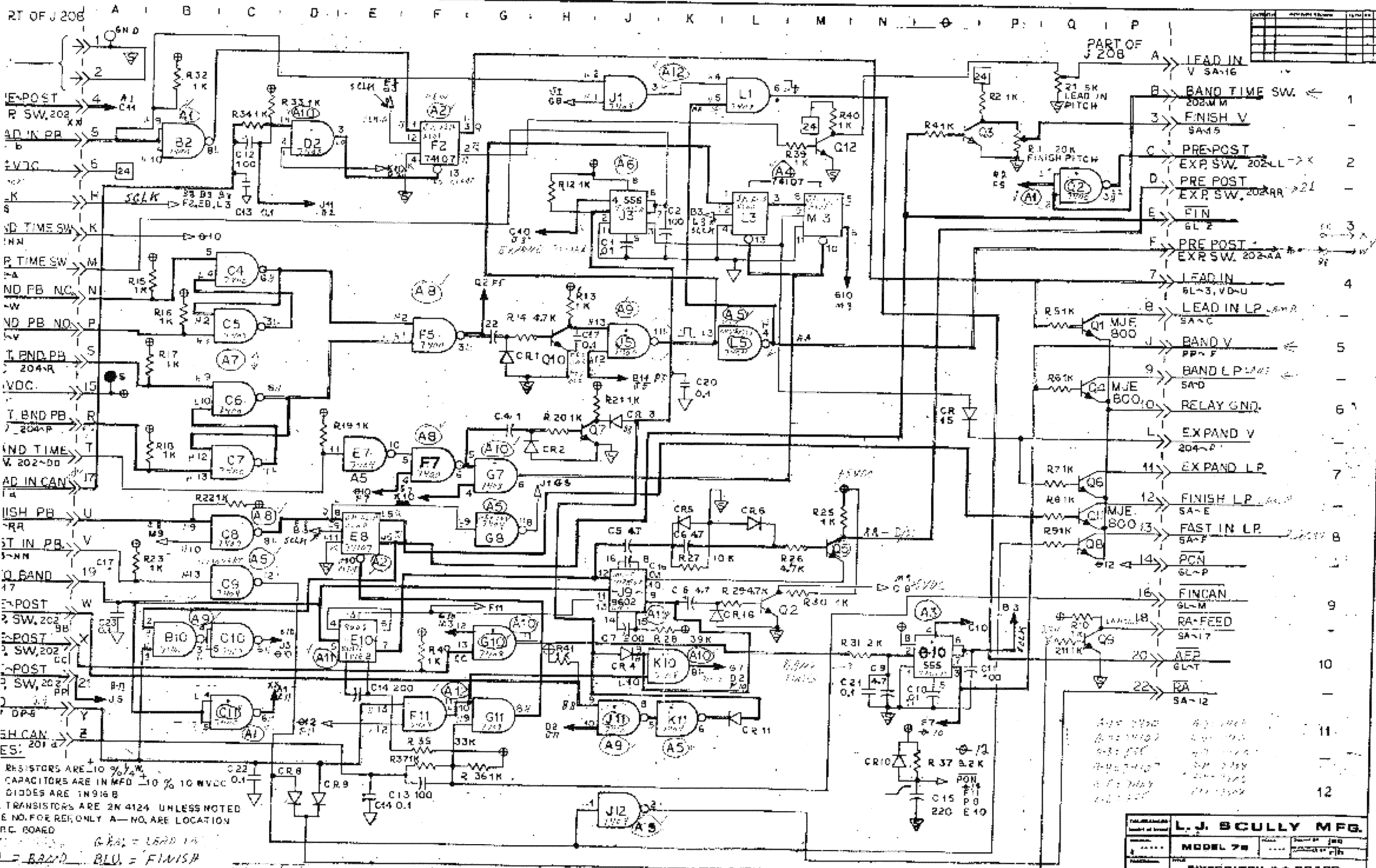
Ⓜ A 5, 6, 16, 20, APE NB25126F

**L. J. SCULLY MFG**

DATE: 8-2-78

**LATHE DISPLAY PROCESSOR**

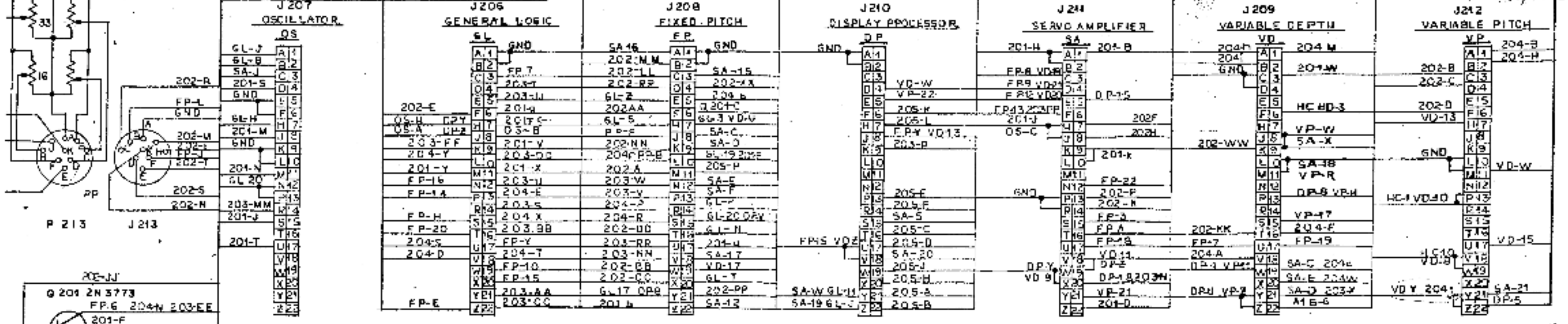
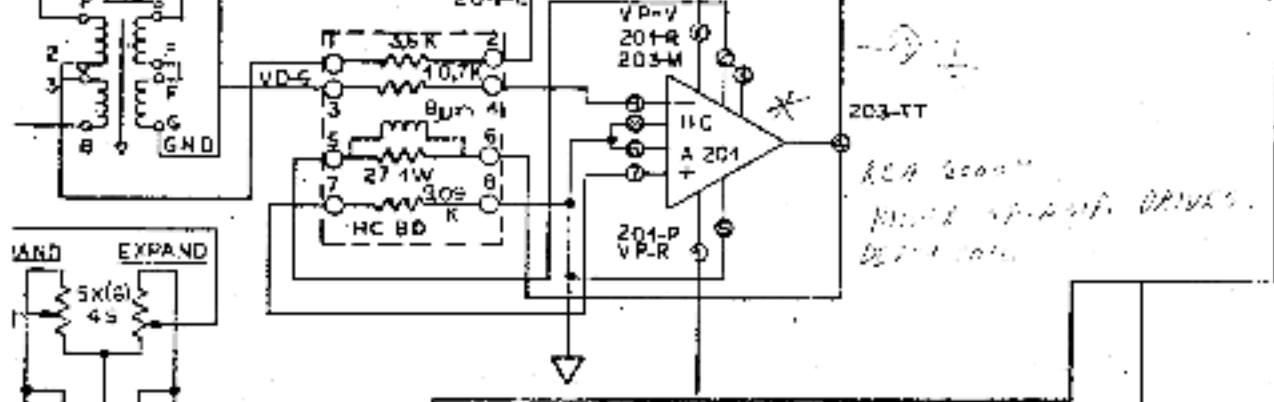
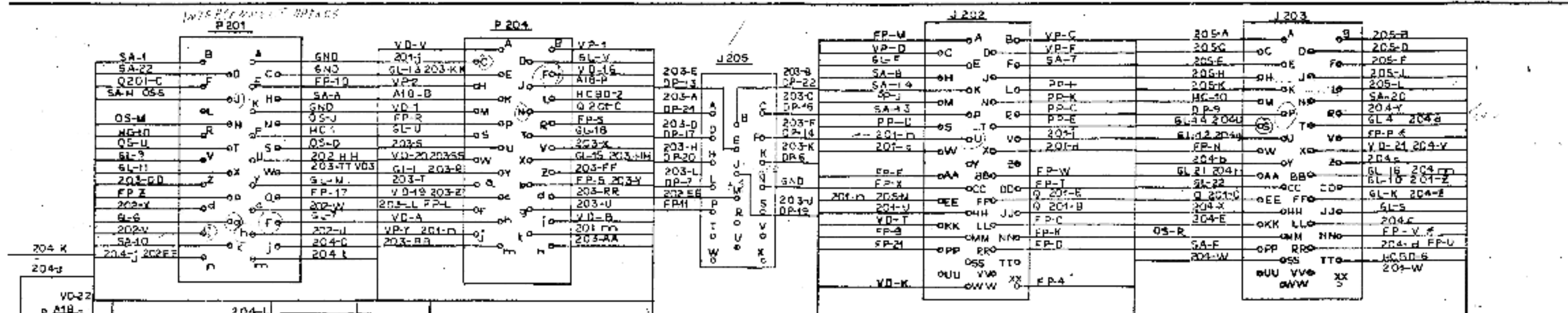
MODEL 78 4-70700 90



RESISTORS ARE 10% 1/4 W  
 CAPACITORS ARE IN MFD 10% 10 WVDC 0.1  
 DIODES ARE 1N916 B  
 TRANSISTORS ARE 2N 4124 UNLESS NOTED  
 E NO. FOR REF. ONLY A—NO. ARE LOCATION  
 P.C. BOARD

RT = BAND  
 BLU = FINISH

L. J. SCULLY MFG.	
MODEL 78	REV. 1/68
FINCH PITCH A.C. BOARD	



REVISED 2-5-79

**L. J. SCULLY MFG.**

4-21-77

LATHE CARD CASE